

Tough weatherproof stand-alone units for camping, dining outdoors, on the road, or on an adventure.



### Cooking for adventure

Tough weather proof stand-alone units for, camping, in a van, pickup, camper or car or as an extra indoor or outdoor unit. Whether you want a stand-alone outdoor sink or stable cooking platform when camping, we have a unit to suit you.

Tough, hard-wearing and weatherproof these are ideal for your outdoor adventure ... and all our units can dismantle so can be easily stored away when not in use.

### Built to last

Your Rhino-Pod is built from laser-cut highly durable waterproof material, with mostly stainless steel fittings. Rhino-pods are lightweight and very portable. Some models are easily dismantled for storage, due to their slot together design.

Where would you use your rhino-pod?

- Camping, adventure weekends and outdoor trips
- Trucking or working on the road
- On the go Campervan Conversion
- Wash station for day van
- Barbeques or Outdoor Kitchen
- A temporary Kitchen
- Market stalls

### Features

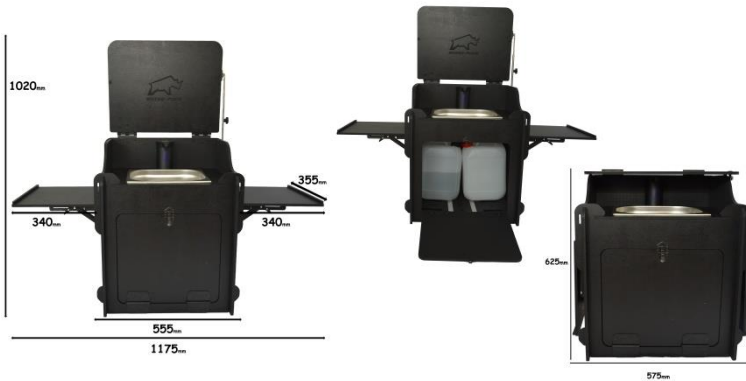
- Weather, water and chemical resistant
- Heat resistant up to 150° C (you can stand a hot saucepan on it!)
- Can be easily cleaned, even with a hose, high-pressure cleaner!
- Made from a strong, tough and lightweight foamed polypropylene
- High UV and weather resistance suitable for long term outdoor use



## The Sink Pod

A portable kitchen, perfect for camping, camper life and outdoor adventures.

With cordless, rechargeable, electric tap, 10 litre water and waste bottles and space for two general purpose burners. A good-sized sink with fitted chopping boards provides plenty of space for chopping and cooking.

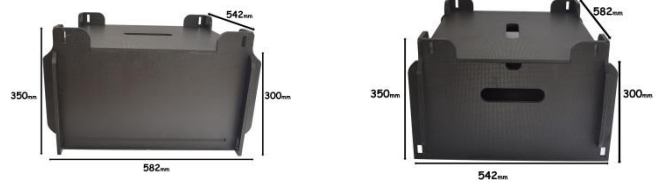


## The Box Pod

A box pod to use by itself or to raise 'The Sink Pod' or 'The Single Cook Pod' to a standing level pod to cook or wash outside.

This storage box is also waterproof and can be left outside with your pod!

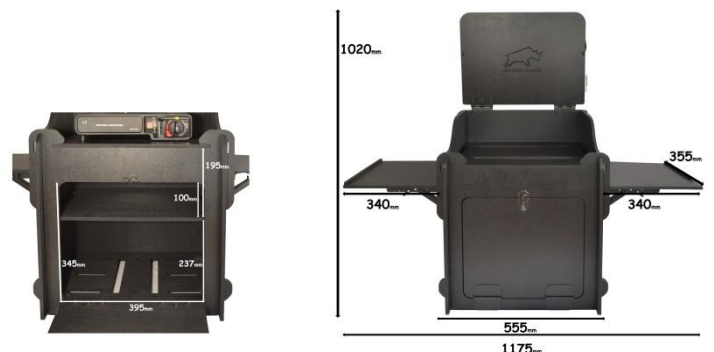
The lid on top makes for easy access of storage and comes with straps to attach your box to its pod.



## The Single Cook Pod

Perfect for camping, van-life and outdoor adventures.

Designed with two internal shelves to fit gas bottles and store away burners and accessories, and with space for two generic burners and a place to prepare and cook meals you can cook anything up to a full meal.

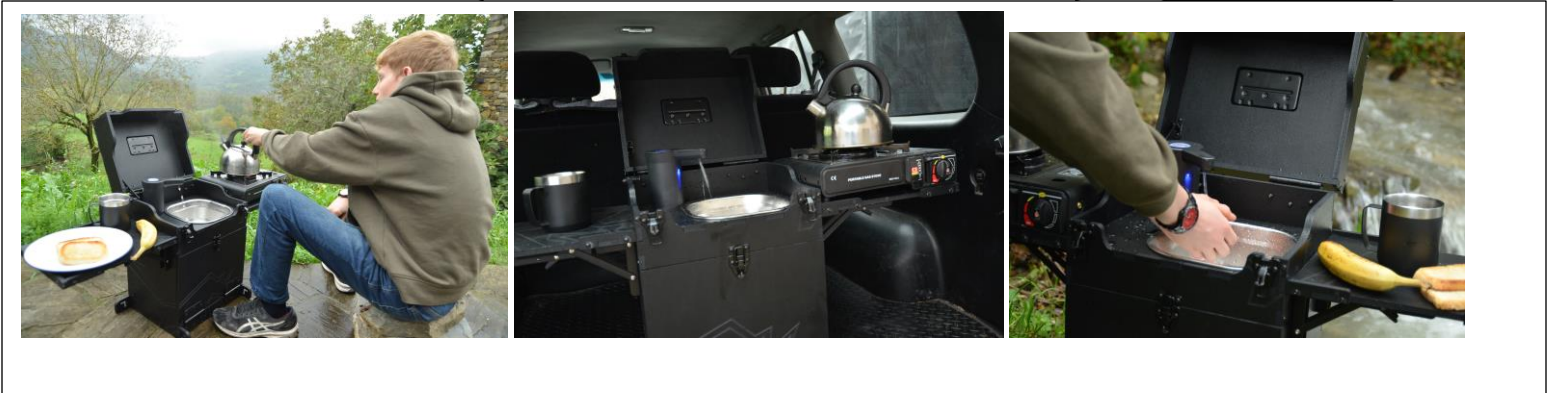
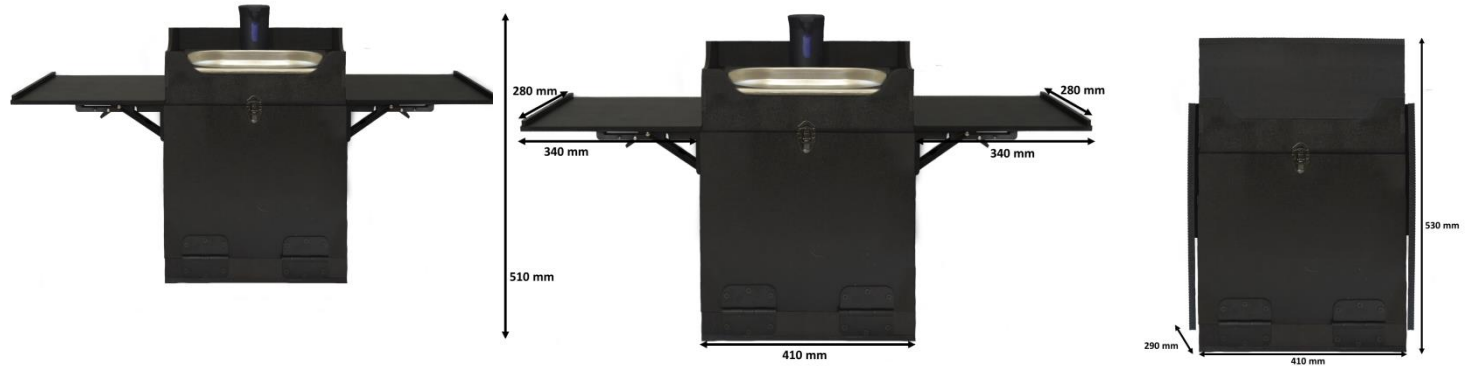




# The Cubit

A small easy to carry kitchen perfect for small campers, cars, SUV's, day vans, work vans, truckers and general use outside or other adventures.

With a cordless, rechargeable, electric tap, matching 5L water and waste bottles, and a sink with a fitted polypropylene chopping board. There is space for two generic burners on the flip up side tables and the lid and front door both double as a storage space.



## FAQs

### How much water will my Rhino-Pod hold?

Your Rhino-Pod comes with a 10 or 5 litre fresh water container that feeds your tap and a 10 or 5 litre waste water container to hold your waste water

### Where does the waste water go?

Your 10 or 5 litre waste water container is connected to the plug in your sink and collects your used water.

### Can I dismantle all of the pods?

The sink pod, cook pod, and box pod are all easily dismountable. All the panels and shelves slot and click together, and so can be taken apart for storage.

### Do I need to fix my Rhino-Pod down to something?

The Rhino-Pods are very stable. However, for additional fastenings the bottom shelf has slots, and peg holes in it to secure it to the ground if needed, and there are slots in the external panels that can be used for fastening straps and/or pegs depending whether the pod is in vehicle or outside.

### Where do I store my cookers?

In the cook pod they can be stored on either of the shelves inside and in the sink pod there is space inside the front of the bottles for two single generic burners

**Is there any storage space?**

*Each pod has some internal storage, for extra storage the Storage Box Pod can be used.*

**How do I recharge my cordless tap?**

*The tap takes 2-3 hrs to charge after which it will last for many days use. When recharging the light glows red until turning blue when fully charged. Your tap will need an initial charge before use.*

**Will any of the generic cookers fit?**

*The commonly found generic single burner cookers fit on the flip up shelves*

**Can I use the Rhino-Pod indoors?**

*Yes, the Pods and the generic stoves are suitable for indoor use*

**Can I use the Rhino-Pod outdoors?**

*Yes, the all of the Pods are suitable for outdoor use, and are weatherproof and waterproof.*

**How heavy is the Rhino-Pod?**

*All our products can be lifted by one person.*

*Empty of water The Sink Pod weighs 14Kg*

*Empty of water the The Cubit weighs 10Kg*

*The Cook Pod weighs 10Kg*

*The Storage box pod weighs 7Kg.*

**Do I need any special cleaners to clean my Rhino-Pod?**

*No, your Rhino-Pod is resistant to almost all chemicals and cleaners and can just be wiped down. It can even be hosed down or jet washed!*

**Does my Rhino-Pod come assembled?**

*Yes, we ship all Rhino-Pods assembled, and with instructions for disassembly if your pod allows it*



[Info@rhino-pods.com](mailto:Info@rhino-pods.com)



Rhino-Pods



Rhino-Pods



Rhino\_\_pods





